








Acme Sanitary Ware Co Ltd

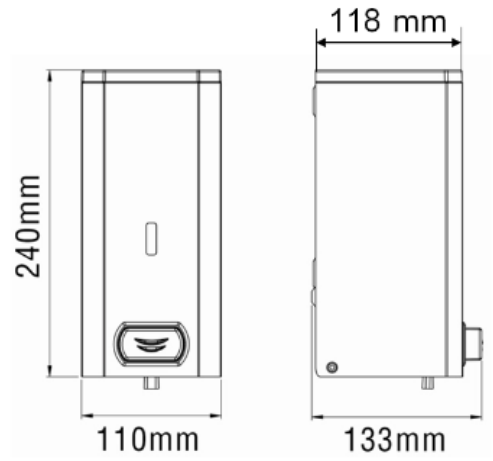
Acme Building, 22-28 Nanking Street, Kowloon, Hong Kong
 Tel: 2388 7171 Fax: 2710 8012
 E-mail: acme@acmesanitary.com.hk
 Website: www.acmesanitaryware.com.hk

PROJECT		REF		REV	ITEM CODE	
LOCATION		DATE			PAGE	

SANITARY WARE SPECIFICATION SHEET

Item Descriptions	Mediclinics (Spain) stainless steel AISI 304 wall-mounted push-button foam soap dispenser in bright finish	Illustration/ Drawing 
Dimensions	L110 x W133 x H240 mm	
Model	DJF0032C	
Material/ Finish	Stainless Steel / Bright Finish	
Manufacturer	Mediclinics, S.A. (Spain)	
Supplier	Acme Sanitary Ware Co. Ltd Mr. Eric Wong/ Mr. Don Yuen	
Contact Tel/Fax E-mail Website	(852) 2388-7171 / (852) 2710-8012 acme@acmesanitary.com.hk www.acmesanitary.com.hk	

General Description <ul style="list-style-type: none"> · Foam soap dispenser of 1.5 L capacity, manufactured in stainless steel AISI 304, 0,8 mm thick, to be installed directly on the wall and hand-operated by means of a push-button. · Available in three finishes (white, bright and satin) these soap dispenser models have a functional, robust and trendy design that matches the new range of Mediclinics bathroom accessories. This allows this soap dispenser to blend into any space perfectly. · Suitable for high traffic facilities and for public use. · Dispenses foam soaps. 	 DJF0032 White epoxy finish
Components & materials <ul style="list-style-type: none"> · DJF0032: Stainless steel AISI 304, white epoxy finish. · DJF0032C: Stainless steel AISI 304, bright finish. · DJF0032CS: Stainless steel AISI304, satin finish. · DJF0032B: Stainless steel AISI 304, black epoxy finish. · Level display in the front part that constantly indicates the level of soap available inside the soap dispenser. · Inner plastic tank that prevents oxidation and that can be easily removed for cleaning and disinfection purposes. · Push-button made in stainless steel. · Anti-drip corrosion resistant valve that dispenses 1.0 ml of soap per service. This anti-drip valve, which dispenses liquid soap, is easily interchangeable with the valves of the other soap dispensers of the same line. · Hinged cover for operator convenience and speed of service. · Opening on top with provided Mediclinics key that allows soap refill. · It is mounted on the wall by means of four Ø4 stainless steel screws (provided) with their corresponding Ø 6mm plastic plugs (also provided). · It is recommended to use foam soaps with a density between 0.95 and 1.05 kg/dm³. 	 DJF0032B Black epoxy finish
Operation Place one hand just under the soap dispenser valve and press the center push-button until the end of the soap dosage.	 DJF0032C Bright finish
Mounting Template 10-15cm from shelf.	 DJF0032CS Satin finish



Technical Specifications	
Dimensions	240 x 110 x 133 mm
Capacity	1.500 ml
Body, cover & base plate thickness	0.8 mm
Inner Tank Thickness	2.5 mm
Net weight	1.25 Kg
Quantity dispensed per pump	1.0 ml

Note:

* All information of the above is for the reference only. No prior notice is made if any changes.



Source: Mediclinics.